

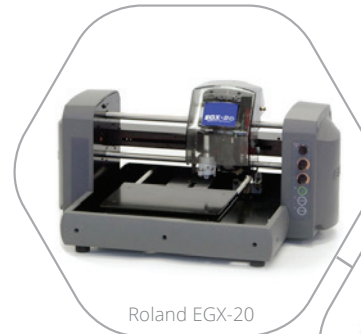
## ENGRAVING Dust and Fume Extraction Solutions



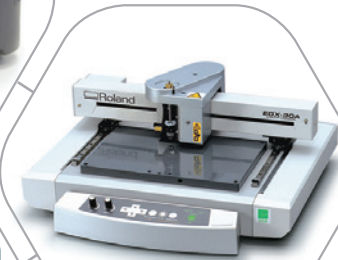
**Industrial** particle and dust **extraction system** for the **Roland EGX** range.

BOFA's DustPRO 50 extraction unit has been developed to work with the Roland EGX desktop engraving machines. Developed for the safe and effective removal of swarf and smaller particulates during the milling process.

One of the main problems with other router extraction relates to the type of pump used. Most have brushed motors which are noisy in operation and frequently burn out, with the average life of brushes being around 800 hours. The pump used in the DustPRO 50 is brushless and designed for continuous running greatly extending the time before requiring servicing. They generate high vacuums and are quiet in operation. The large capacity bag filter has a very high efficiency.



Roland EGX-20



Roland EGX-30A



Roland EGX-350



Roland EGX-600



### WHY CHOOSE THE BOFA DUSTPRO 50:

- High vacuum pump for effective capture from source
- Brushless motor = long life
- Filter with long life and low replacement cost
- Low noise operation
- Quick and Easy filter change

### OPTIONAL FEATURE:

- Remote stop / start interface



Lid off and the Bag filter

Back

# TECHNICAL INFORMATION

TECHNICAL DATA		
	EU	US
Dimensions (HxWxD)	535 x 290 x 290mm	21 x 11.4 x 11.4"
Cabinet construction	Powder coated mild steel	
Airflow / pressure	80m³/hr / 100mbar Brushless motor	47cfm / 100mbar Brushless motor
Electrical data	230v 1ph 50/60Hz Full load current: 2.8 amps / 0.4kw Fuse Rating 5 amps	115v 1ph 50/60Hz Full load current: 6 amps / 0.5kw Fuse Rating 10 amps
Noise level	< 63dBA (at typical operating speed)	
Weight	23kgs	50lbs
Approvals	CE	

BAG FILTER SPECIFICATIONS	
Filter Holding Capacity	6.4 Ltrs
Filter Media	Polyester
Filter Media Construction	Bag Filter
Filter Efficiency	F8 (95% @ 0.9 microns)

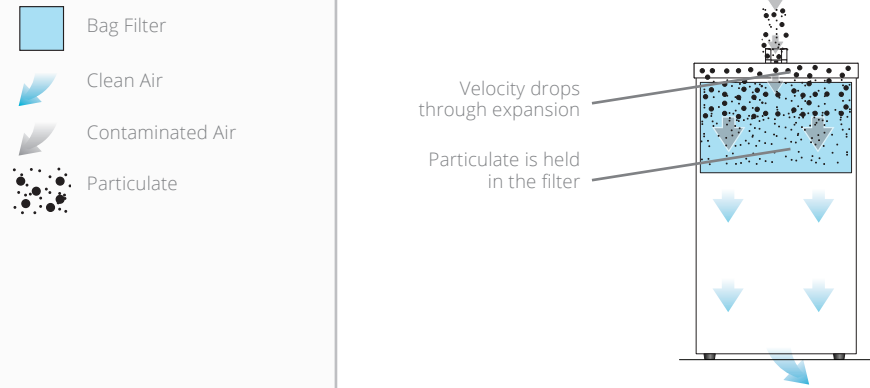
## PART NUMBERS

UNIT			OPTIONS
Model	Voltage	Part Number	24V Stop / Start
DustPRO 50 Powder Coated	230V	30821544-1210	A2001
	115V	30820544-1210	

REPLACEMENT FILTERS	
Description	Part Number
Bag filter	A1030135

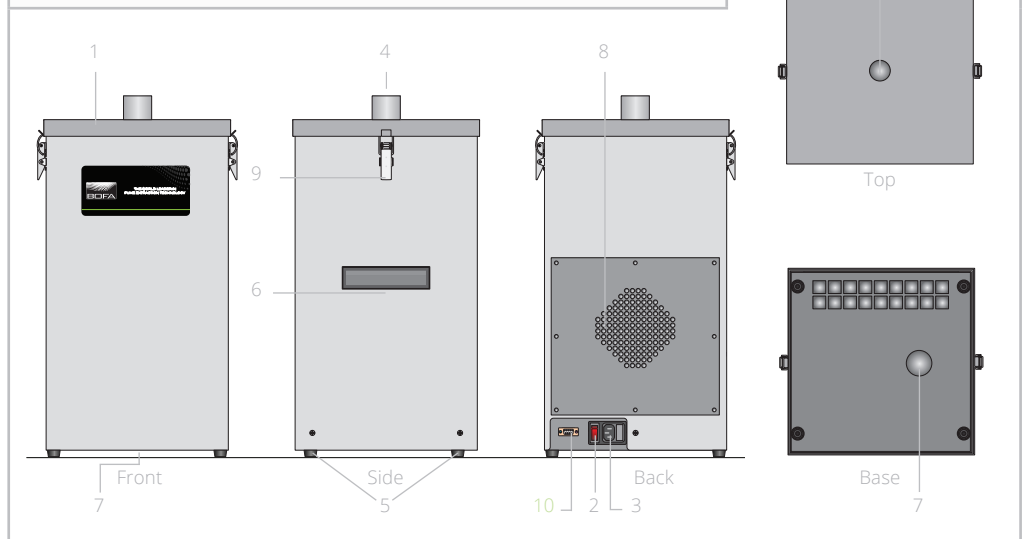
Other hose kits and filters are available. All of the above units are fitted with our standard filter combinations. For specific applications please call us for details. Replacement filters should always be ordered using the part number on the filters inside your extractor to ensure the correct filter is ordered. Datasheet correct at time of print.

## AIRFLOW THROUGH FILTERS



## TECHNICAL SPECIFICATION

- Unit Lid
- On / Off Switch
- Power Cable Inlet
- Hose Inlet Connection
- Feet
- Handle
- Exhaust Outlet
- Motor Cooling Inlet
- Lid Latches
- Optional Stop / Start Interface Connection



Roland are registered in the U.S. Patent and Trademark Office.

Roland-DustPRO-50-EGX:28/8/176V:2.4



**BOFA INTERNATIONAL LTD**

Tel: +44 (0) 1202 699 444 Fax: +44 (0) 1202 699 446 Email: sales@bofa.co.uk Web: www.bofa.co.uk

**BOFA AMERICAS, INC**

Tel: (618) 205 5007 Fax: (866) 707 2632 Email: sales@bofaamericas.com Web: www.bofaamericas.com

